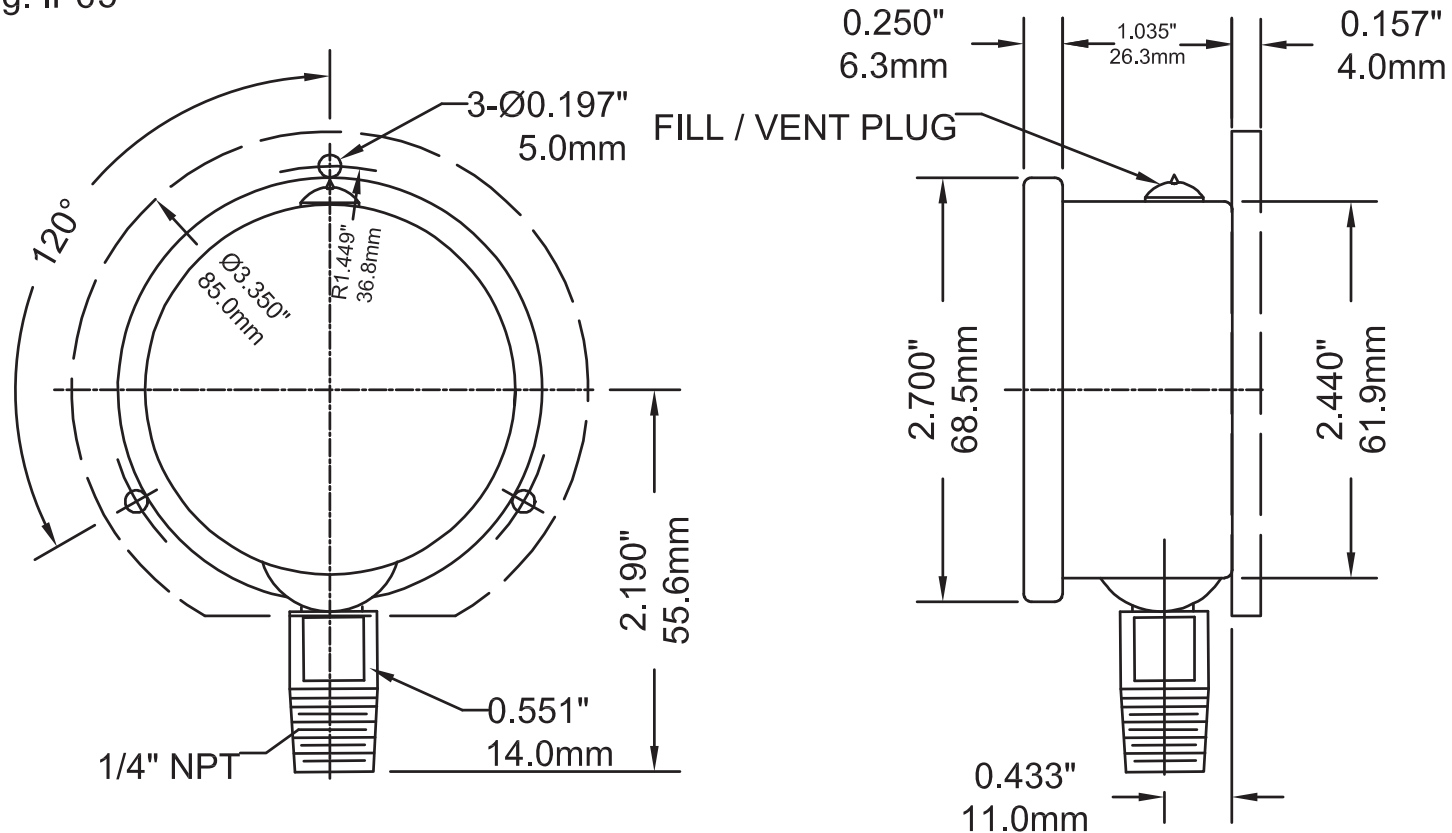


Case Material: AISI 304 stainless steel
 Lens Material: Polycarbonate
 Ring: AISI 304 stainless steel, crimp-on
 Socket: Brass or AISI 316SS
 Bourdon Tube: Phosphor Bronze or AISI 316SS
 Movement: Brass or SS
 Accuracy: $\pm 1.6\%$
 Ambient Temp. Limits Glycerin Fill: -4°F to 150°F (-20°C to 65°C)
 Process Temp. Limits Glycerin Fill: -4°F to 150°F (-20°C to 65°C)
 Enclosure Rating: IP65



DRAWN BY: PHOEBE MA

ENG. APPROVAL:

ALL DIMENSIONS IN INCHES/MM

TOLERANCES
(unless otherwise stated)

Fractional:	$\frac{1}{64}$ " 0.4mm
Decimal:	0.06" 1.5mm

REVISION No AND DATE: 1, April 21, 2009

TITLE:

2.5" STAINLESS LIQUID FILLED GAUGE, BTM CONN
C/W OPTIONAL BACK FLANGE

DRAWING NO: PFQ-25-T-Z-B