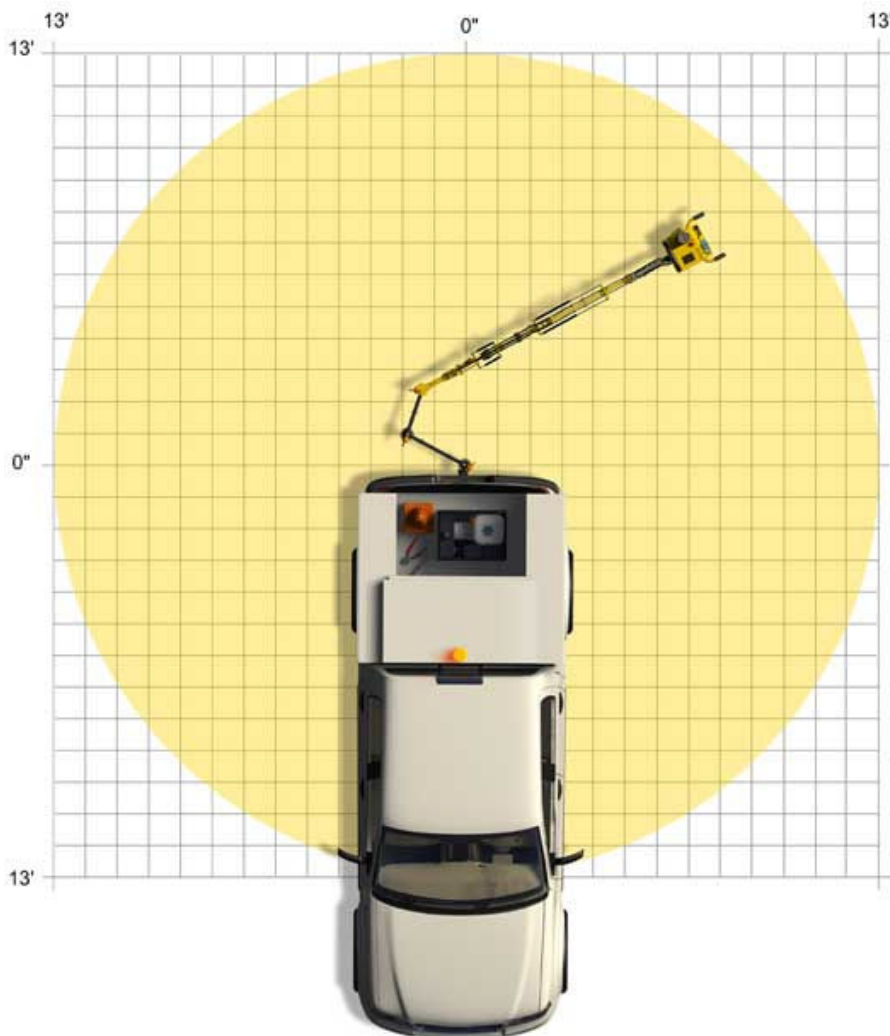


Extend the Reach of Your SpinDoctor®



With the **ER™** (Extended Reach) option, the SpinDoctor™ provides nearly effortless access to any valve or hydrant - exceeding competitive models by a wide margin.



Widest Range of Motion in the Industry

The **ER™** retracts and locks into position for secure traveling, multiple ranges and locking positions.

With the **ER™**, the SpinDoctor™ can reach nearly door-to-door or wheel-to-wheel providing quick access to any valve or hydrant - exceeding competitive models by a wide margin.

The ER's heavy duty construction provides for years of service.

The [SpinDoctor boom](#) is made of high strength steel tubing that is of sufficient size and strength that when it tries to bend on the weak axis and then twist it can carry the loads. It has the strength and flexibility to go up to 500 foot pounds of torque and show no signs of yielding with no permanent deformations in any of the parts of the boom.

Additional tests have been conducted with the SpinDoctor boom using a 4-1 multiplier that pushed the torque rating to over 2,000 foot pounds without showing no signs of failure.